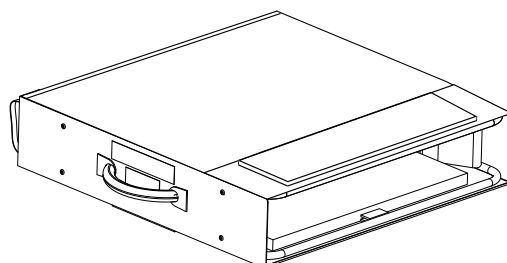
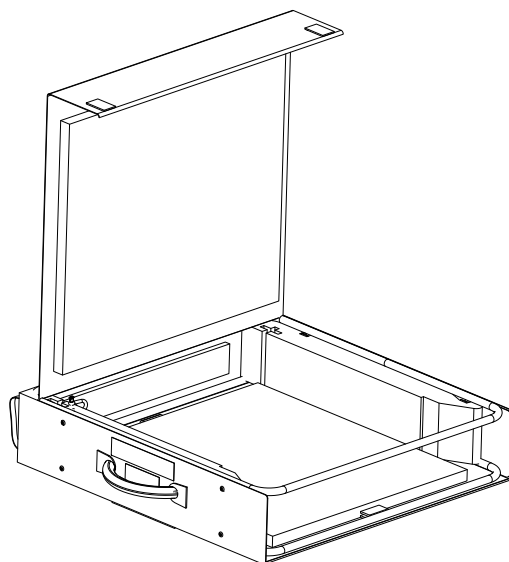
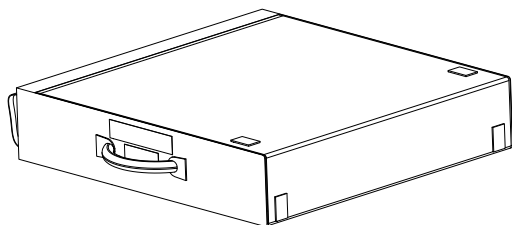


L-CASE II



owner's manual (EN)



Document reference: L-CASE II owner's manual (EN) version 2.0

Distribution date: October 5, 2023

© 2023 L-Acoustics. All rights reserved.

No part of this publication may be reproduced or transmitted in any form or by any means without the express written consent of the publisher.

Contents

| | |
|---------------------------------|----|
| Safety..... | 4 |
| Instructions..... | 4 |
| Introduction..... | 5 |
| How to use this manual..... | 5 |
| Revision history..... | 5 |
| Rigging system description..... | 6 |
| Mechanical safety..... | 10 |
| Rigging procedure..... | 11 |
| Specifications..... | 14 |

Safety

Instructions

- !** **Inspect the system before any deployment.**
Perform safety related checks and inspections before any deployment.
- !** **Perform preventive maintenance at least once a year.**
Refer to the preventive maintenance section for a list of actions and their periodicity.
Insufficient upkeep of the product can void the warranty.
- !** **Never incorporate equipment or accessories not approved by L-Acoustics.**
- !** **Read all the related PRODUCT INFORMATION documents shipped with the products before exploiting the system.**
- !** **Do not store the product on an unstable cart, stand, tripod, bracket, or table.**
- !** **Work with qualified personnel for rigging the system.**
Installation should only be carried out by qualified personnel that are familiar with the rigging techniques and safety recommendations outlined in this manual.
- !** **Ensure personnel health and safety.**
During installation and set-up personnel must wear protective headgear and footwear at all times. Under no circumstances is personnel allowed to climb on a loudspeaker assembly.
- !** **Respect the maximum configurations and the recommended safety precautions.**
For safety issue, respect the maximum configurations outlined in this manual. To check the conformity of any configuration in regards with the safety precautions recommended by L-Acoustics, model the system in Soundvision and refer to the warnings in Mechanical Data section.
- !** **Risk of falling objects**
Verify that no unattached items remain on the product or assembly.
- !** **Risk of tipping**
Remove all rigging accessories before transporting a product or an assembly.
- !** **Take into account the wind effects on dynamic load.**
When a loudspeaker assembly is deployed in an open air environment, wind can produce dynamic stress to the rigging components and suspension points.
If the wind force exceeds 6 bft (Beaufort scale), lower down and/or secure the product or the assembly.
- !** **Intended use**
This system is intended for use by trained personnel for professional applications.
- !** **As part of a continuous evolution of techniques and standards, L-Acoustics reserves the right to change the specifications of its products and the content of its documents without prior notice.**
Check www.l-acoustics.com on a regular basis to download the latest document and software updates.
- !** **Long term exposure to extreme conditions may damage the product.**
For more information, refer to the **Products weather protection** document, available on the website.
- i** This marking indicates that this product should not be disposed of with other household waste throughout the EU. To prevent possible harm to the environment or human health from uncontrolled waste disposal, recycle it responsibly to promote the sustainable reuse of material resources. To return your used device, please use the return and collection systems or contact the retailer where the product was purchased. They can take this product for environmentally safe recycling.



Introduction

How to use this manual

The L-CASE II owner's manual provides information about using L-CASE II as a rigging accessory for amplified controllers. It is intended to be used together with the owner's manual of the amplified controller (if needed).

1. Read the product description.
 - [Rigging system description](#) (p.6)
2. Identify compatible products to prepare the system configuration. Consider the mechanical limits and safety precautions.
 - [Mechanical safety](#) (p.10)
3. Before rigging the system, perform mandatory inspections and functional checks.

As part of a continuous evolution of techniques and standards, L-Acoustics reserves the right to change the specifications of its products and the content of its document without prior notice. Please check www.l-acoustics.com on a regular basis to download the latest document and software updates.




Contact information

For information on advanced corrective maintenance:

- contact your Certified Provider or your L-Acoustics representative
- for Certified Providers, contact the L-Acoustics customer service: customer.service@l-acoustics.com (EMEA/APAC), laus.service@l-acoustics.com (Americas).

Symbols

The following symbols are used in this document:

-  This symbol indicates a potential risk of harm to an individual or damage to the product. It can also notify the user about instructions that must be strictly followed to ensure safe installation or operation of the product.
-  This symbol notifies the user about instructions that must be strictly followed to ensure proper installation or operation of the product.
-  This symbol notifies the user about complementary information or optional instructions.

Revision history

| version number | publication date | modification |
|----------------|------------------|-------------------------|
| 1.0 | Jan. 2023 | Initial version. |
| 2.0 | Oct. 2023 | Updated safety factory. |

Rigging system description

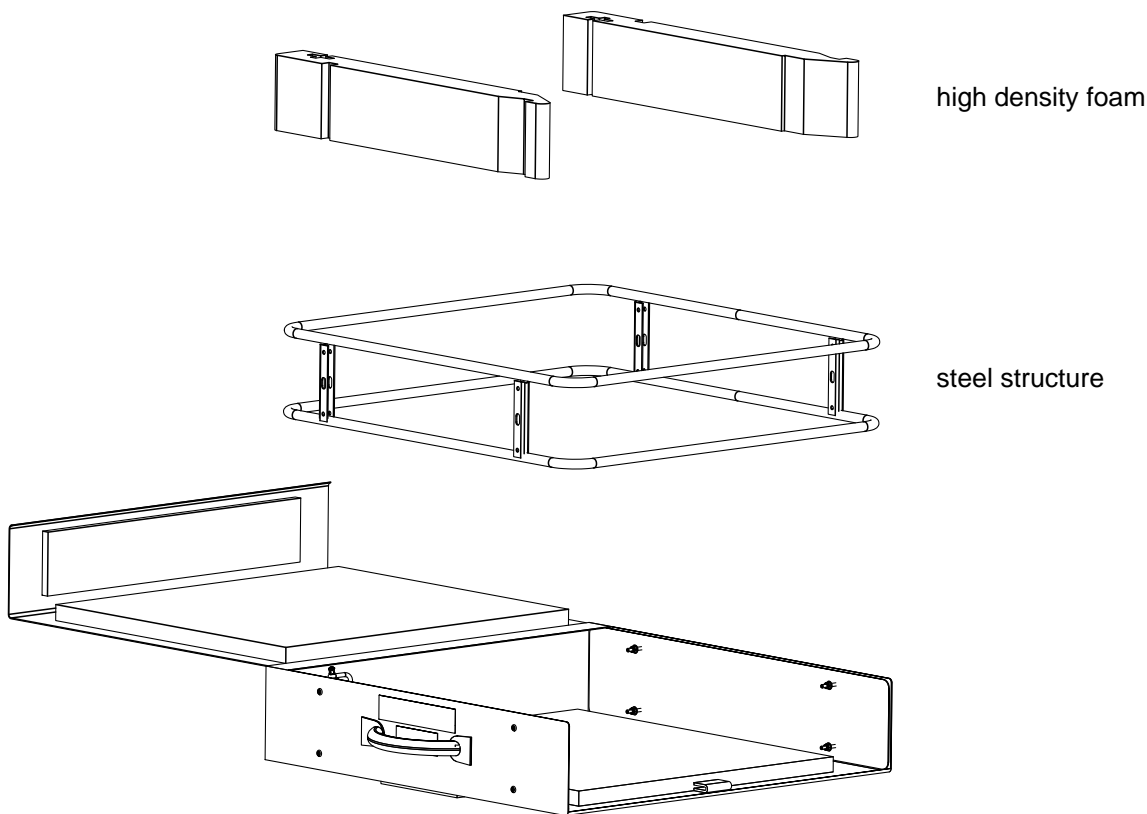
L-CASE II

L-CASE II is designed to offer a high level of protection to L-Acoustics amplified controllers during their transport, storage and operation. It can be quickly deployed in flown configurations, or stacked together while maintaining access to the user interface, connectors and display of the amplified controller.

Shock and vibration protection

L-CASE II protects electronics against shocks during transport and handling thanks to its metallic shell, a dual tubular structure assembled and reinforced with four soldered U profiles.

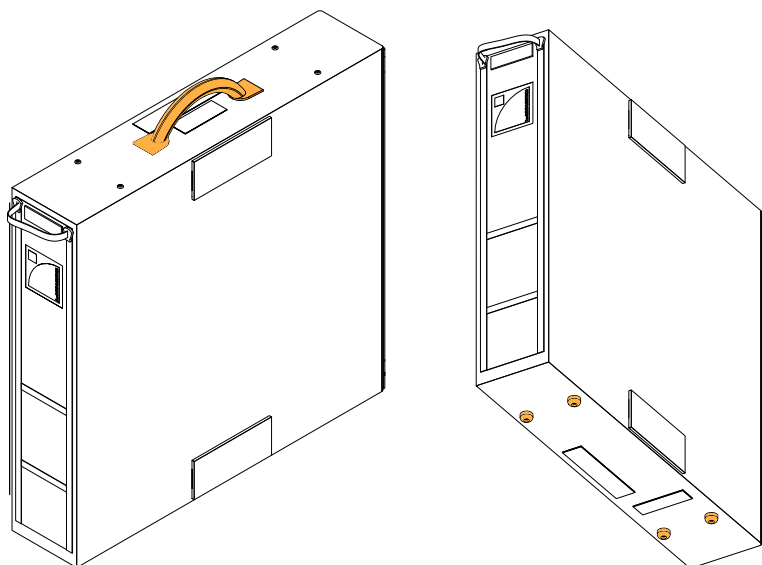
Protection against vibrations is ensured by two blocks of ultra-high density foam acting as internal side panels. Securely braced between the two shell tubes, they act as a "silent-block" absorber.



Transport and storage

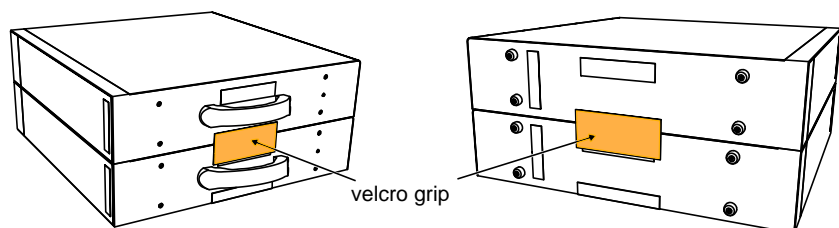
An ergonomic handle located on one side allows easy transport. The handle is designed not to be too protruding to avoid risks of being hooked to objects.

Opposite to the handle side, four riveted feet ensure protection against floor humidity when the case is upright.



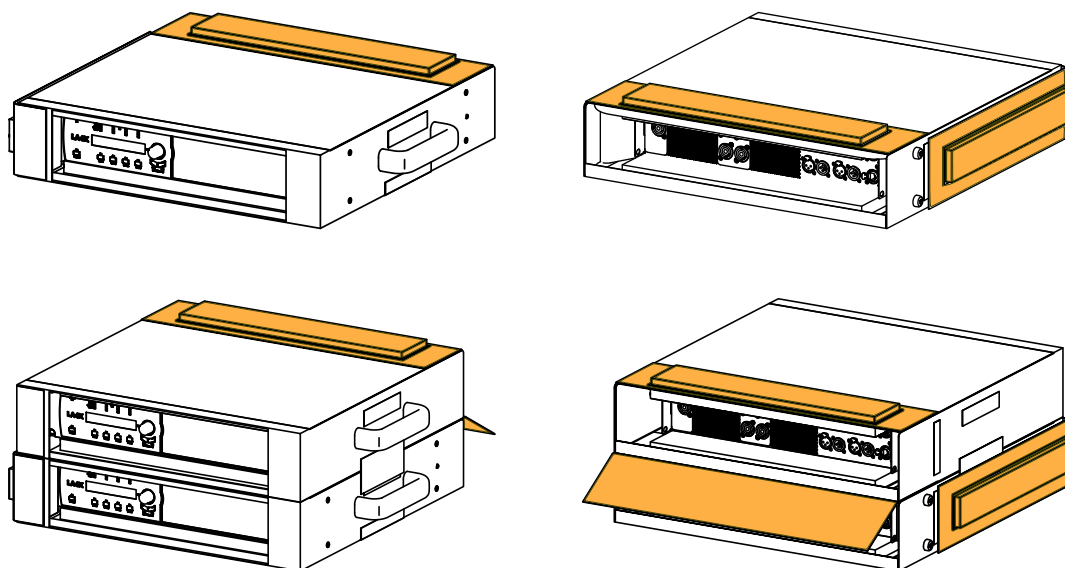
Stacking units

L-CASE II can be stacked on top of each other. Each L-CASE II features front and rear velcro grips which can be folded and assembled onto the unit.



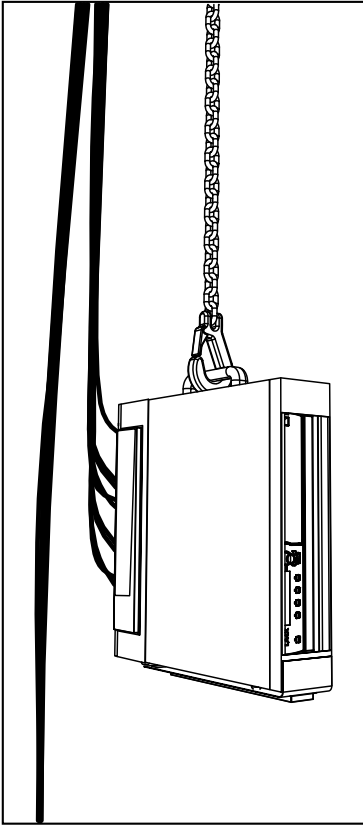
Access to electronics user interface and cables

Both L-CASE II front and rear flaps can be flipped over to allow access to the electronics user interface and cables during operation, even when several L-CASE II units are stacked together.

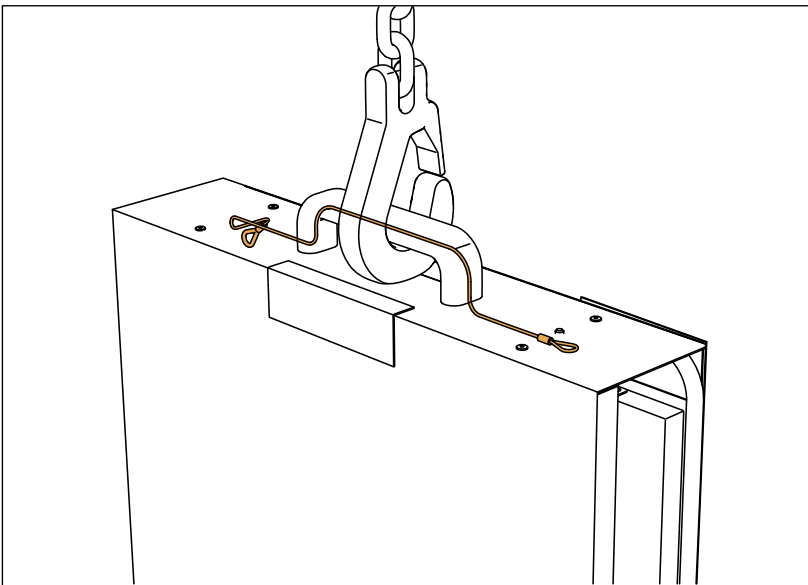


Flying units

L-CASE II can be quickly flown using the handle.

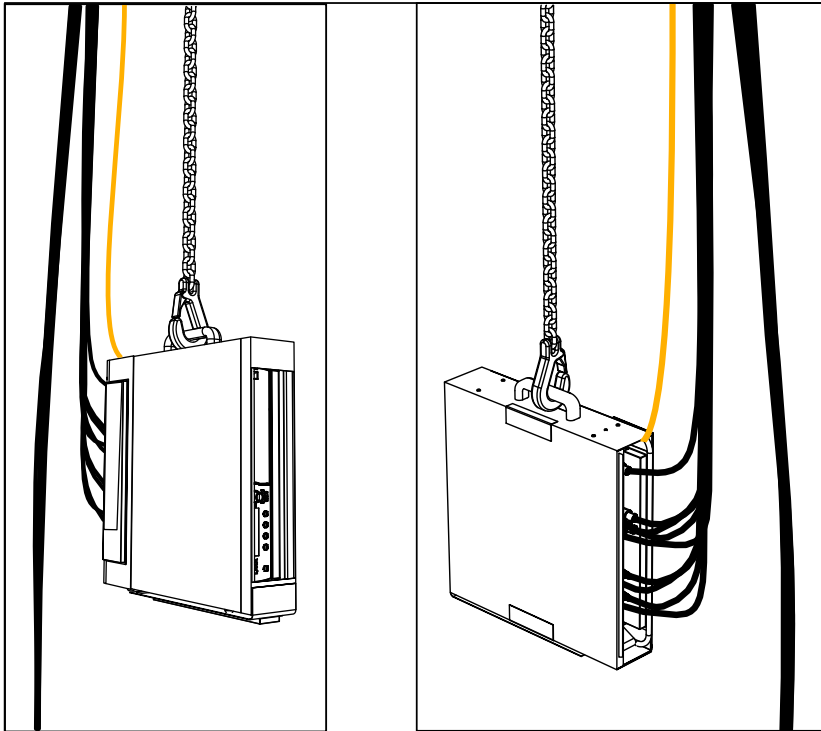


A tether passes through the handle and is connected to the electronics chassis for maximum safety.



**Secondary safety**

Attach a steel wire rope to the steel structure to bypass the motor.



Mechanical safety

The L-CASE II rigging system complies with 2006/42/EC: Machinery Directive. It has been designed following the guidelines of BGV-C1.

2006/42/EC: Machinery Directive specifies a safety factor of 4 against the rupture. The flown deployment described in this manual achieves a safety factor of **4**.

The L-CASE II is designed to hold L-Acoustics 2U amplified controllers. Its safe use is **one amplified controller**.

Its WLL is rated at 20 kg / 44.1 lb.

Products compatible with L-CASE II

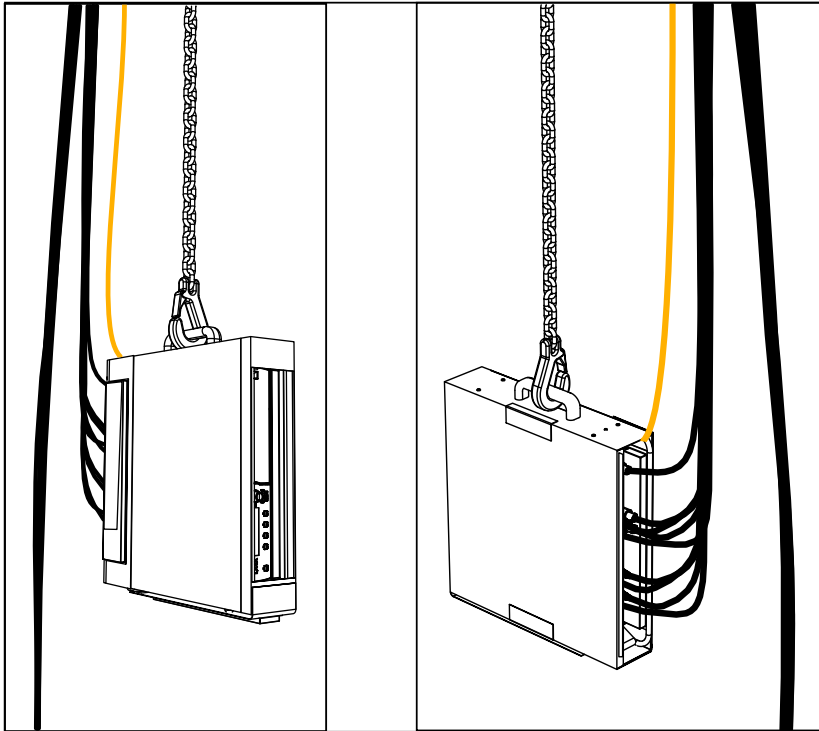
| Controlled amplifier weight (net) | With L-CASE II weight (net) |
|-----------------------------------|-----------------------------|
| LA4X: 11.3 kg / 24.9 lb | 15.1 kg / 33.3 lb |
| LA12X: 14.5 kg / 32 lb | 18.3 kg / 40.3 lb |
| LA7.16: 15.8 kg / 34.8 lb | 19.6 kg / 43.2 lb |

Assessing mechanical safety



Secondary safety

Attach a steel wire rope to the steel structure to bypass the motor.



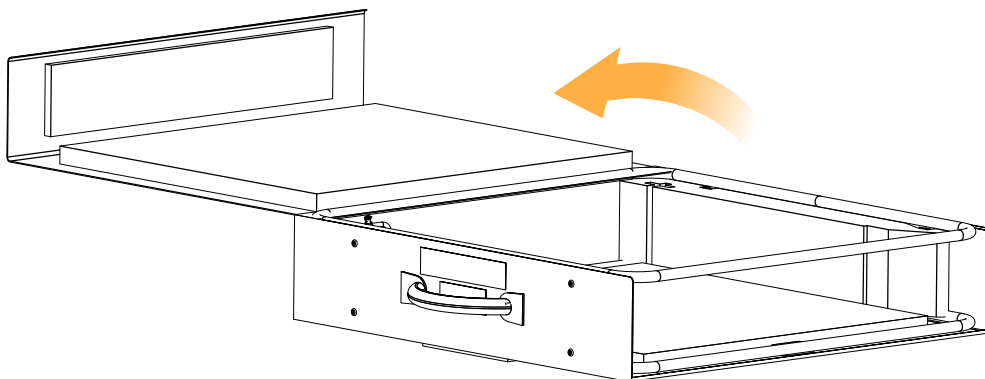
L-CASE II rack units

Though the L-CASE II is a 2U rack, it is not designed to store two 1U units.

Rigging procedure

Procedure

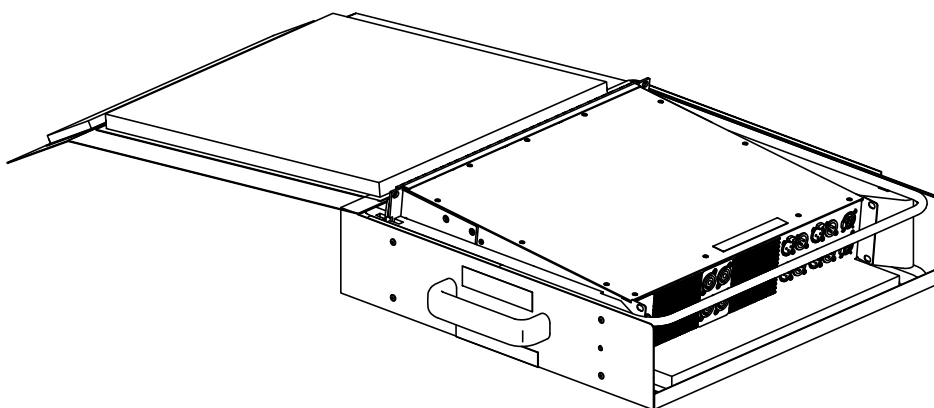
1. Open the top flap of the case.



2. Place the amplified controller in a tilted position inside the case.

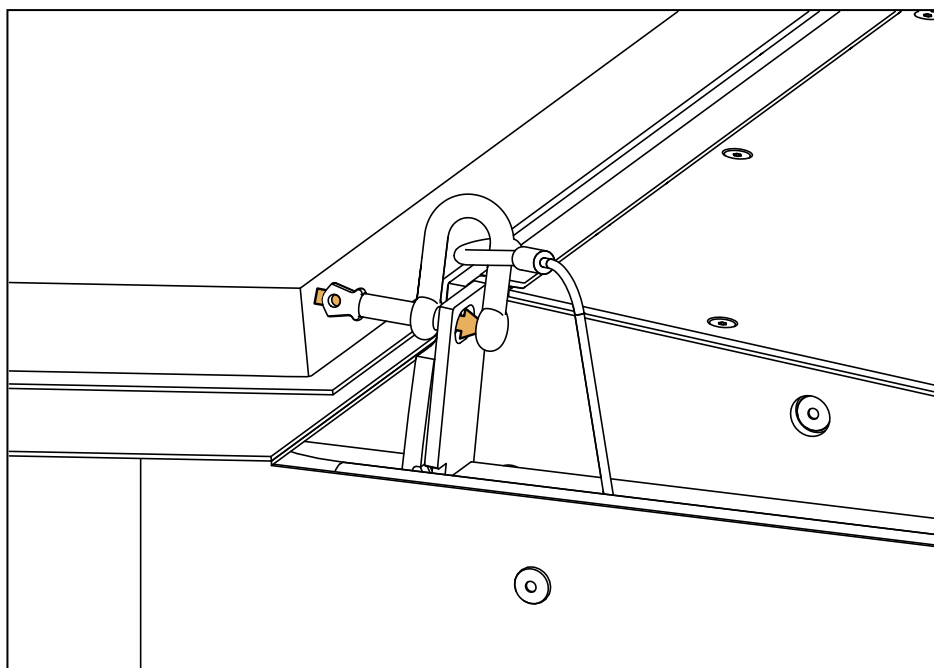
The rear panel rests on the bottom of the case.

The front panel is half engaged in the foam slot.

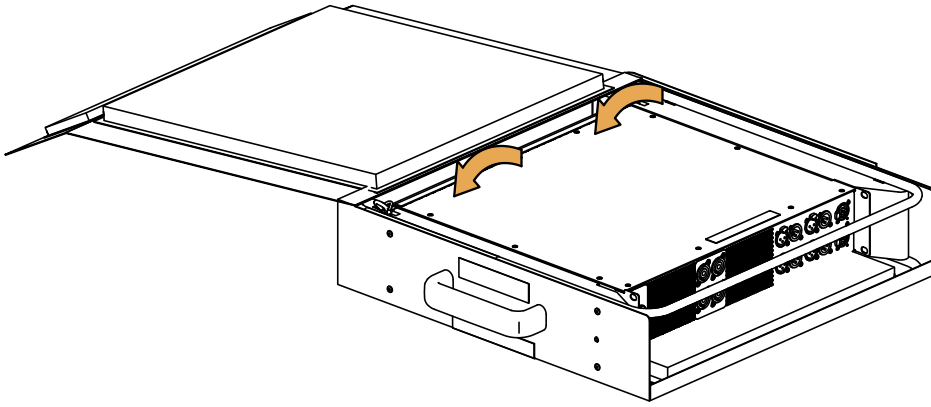


3. Secure the tether to the amplified controller.

Attach the shackle through the top hole in the front left bracket.

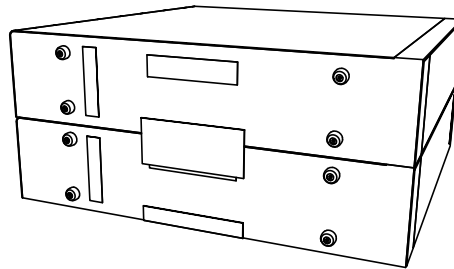
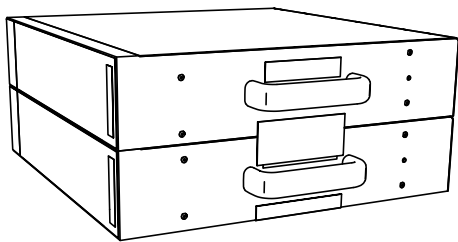


4. Gently push the amplified controller down in its final position.

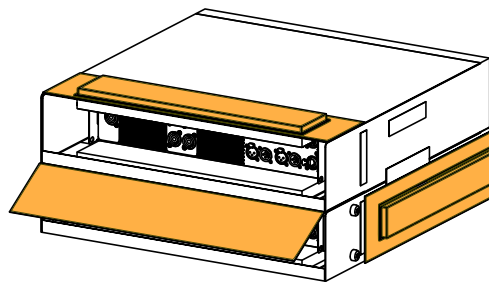
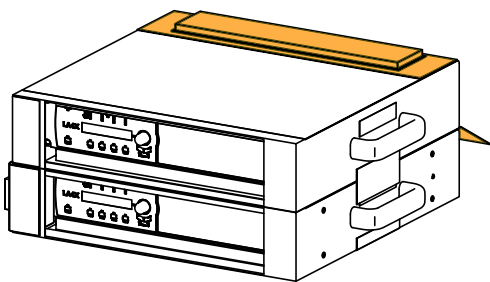
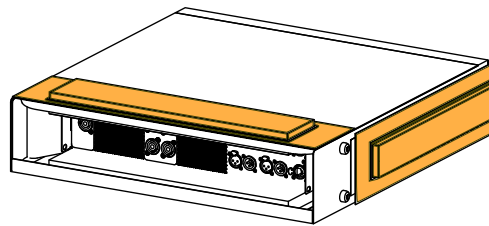
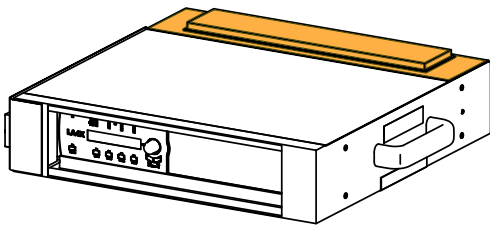


5. Close the top flap.

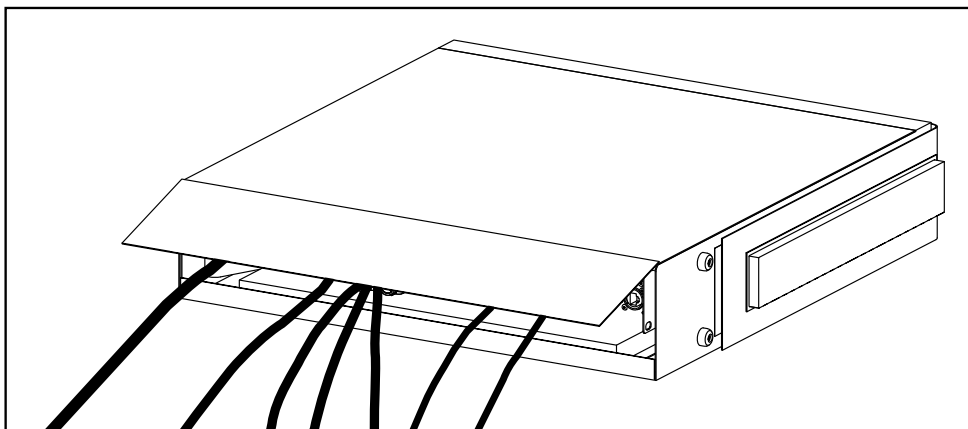
For transportation, close all the flaps and stack the cases if necessary.



During operation, the rear and front flaps can remain open, even with stacked cases.



The rear flap can be used to protect the cables.

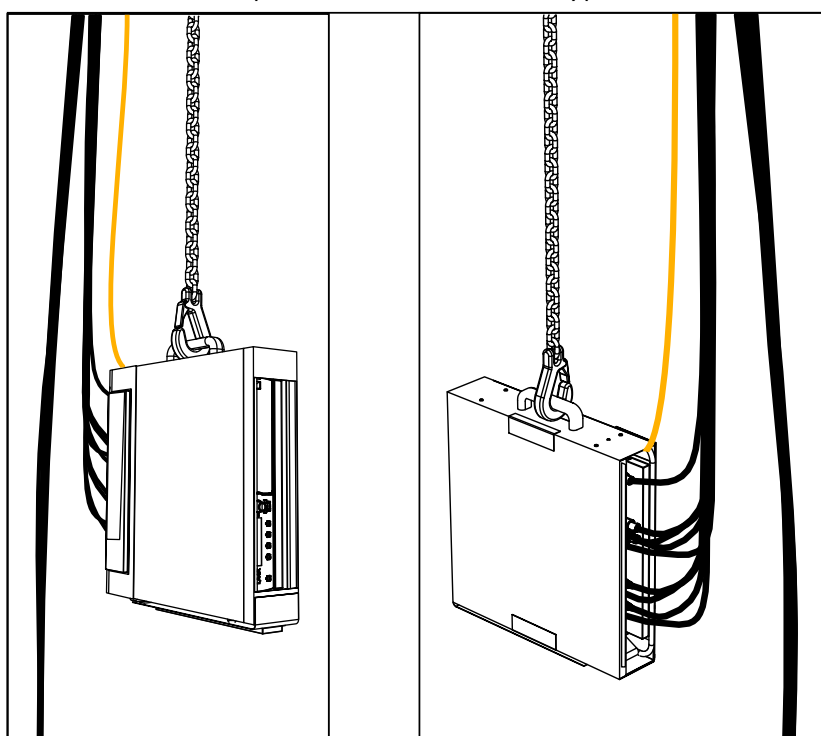


The L-CASE II can also be flown with both the rear and the front flaps open.



Secondary safety

Attach a steel wire rope to the steel structure to bypass the motor.



Specifications

L-CASE II specifications

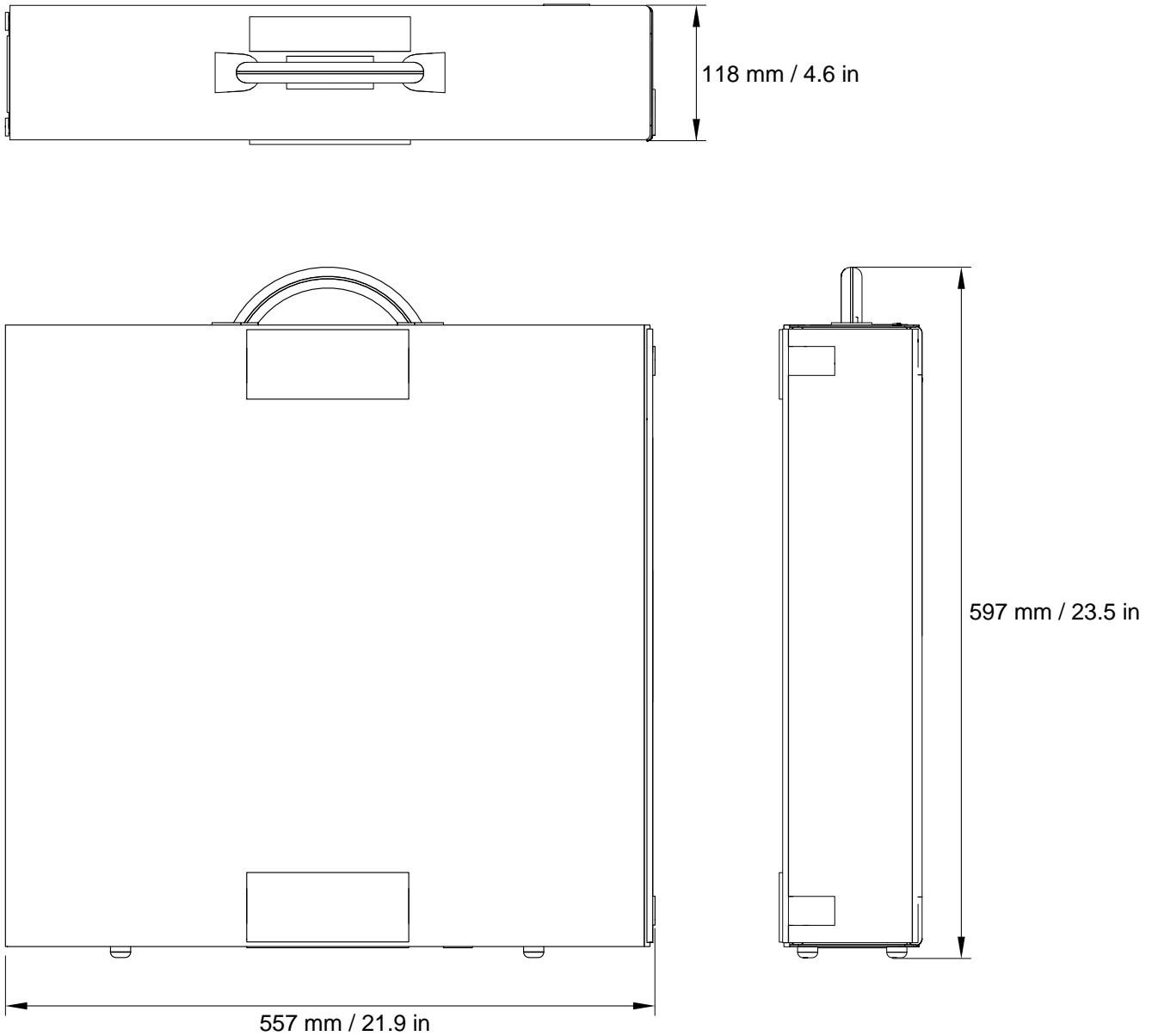
Description 2U electronics transport and protection case

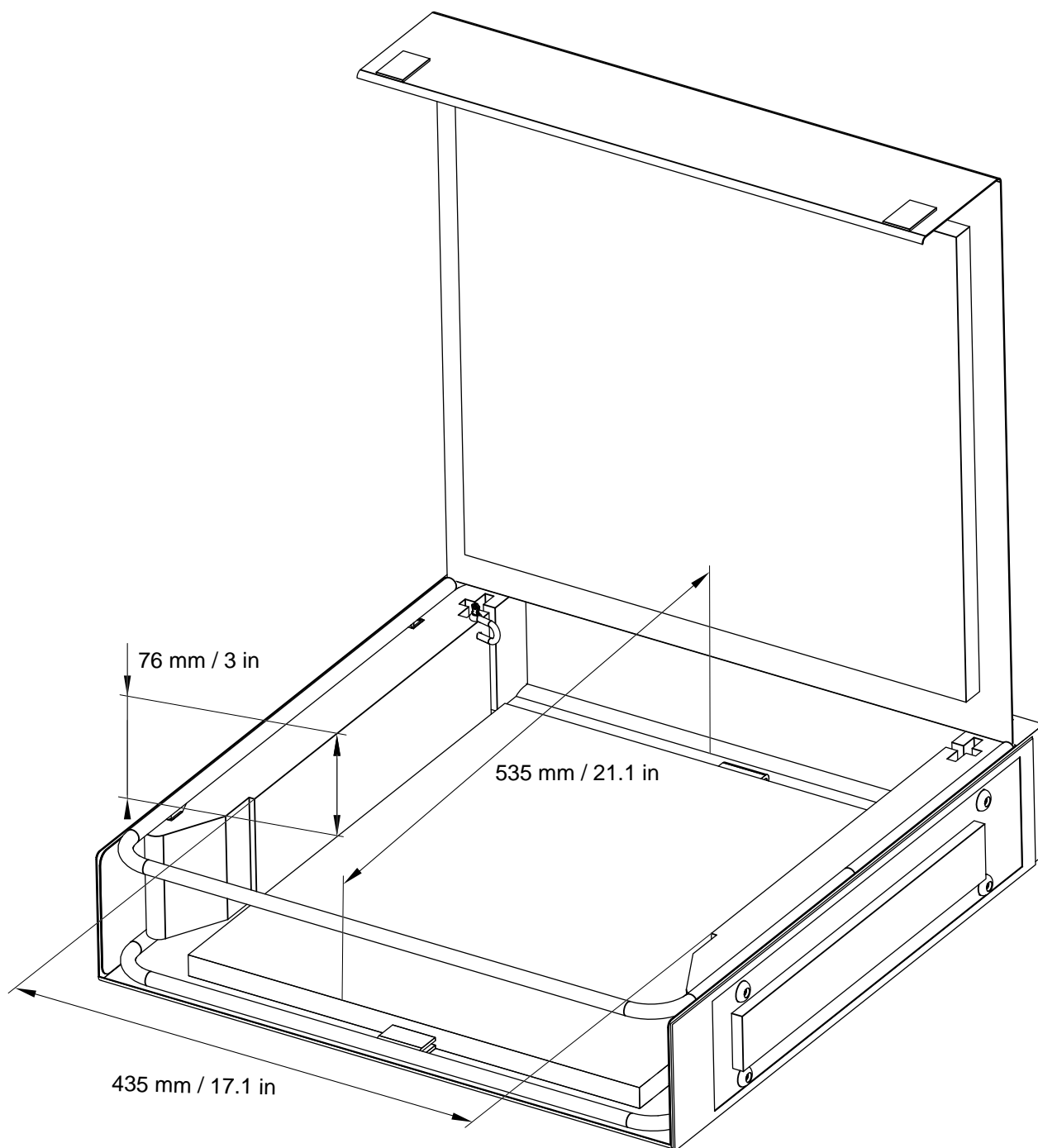
Weight (net) 3.8 kg / 8.4 lb

| | | |
|------------------|------------------|---|
| Materials | Fabric | Cordura® coated with PVC |
| | Structure | steel tubes with anti-corrosion coating |
| | Internal element | ultra high density foam padding |
| | Tether | electrogalvanized steel |

L-CASE II dimensions

External dimensions



Internal dimensions



L-Acoustics

13 rue Levacher Cintrat - 91460 Marcoussis - France
+33 1 69 63 69 63 - info@l-acoustics.com
www.l-acoustics.com

 **L-ACOUSTICS**
GROUP